

ATRIUM

50

**Owner's
Manual**

**Multi-Application
Weatherproof
Indoor/Outdoor
Loudspeakers**

polkaudio
the speaker specialists®

ATRI

PLACEMENT OPTIONS

The Atrium has a wide dispersion pattern, and is very efficient. Your Atrium Series speakers will deliver good sound quality throughout a large listening area, but if you really want high sound levels in an outdoor setting, which has acoustic characteristics that differ from those of indoor conditions, we recommend multiple-pair setups.

You will maximize the useful life of your Atrium speakers by placing them where they will receive less exposure to the elements. Look for the best overall compromise between sound quality, convenience and exposure.

U M

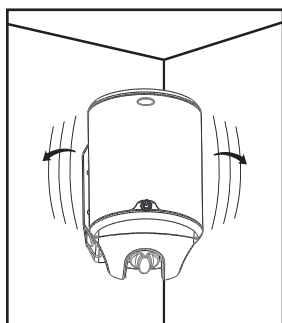


FIGURE 1

Place the speaker in a corner for more bass output. Bracket attached to side wall.

Coloque el altavoz en una esquina para obtener mayor rendimiento de bajos. Soporte adosado a la pared lateral.

Installez l'enceinte dans un coin pour optimiser les graves. Fixez le support au mur latéral.

Platzieren Sie den Lautsprecher zur Gewährleistung stärkerer Tiefen in einer Ecke an. Die Halterung wird an einer Seitenwand befestigt.

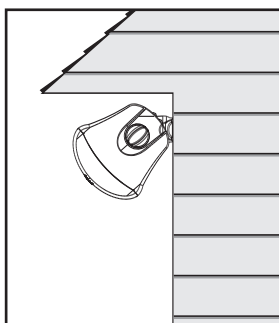


FIGURE 2

Place the speaker close under an eave for more bass output.

Coloque el altavoz debajo y cerca de un alero para obtener mayor rendimiento de bajos.

Installez l'enceinte directement sous l'avant-toit pour optimiser les graves.

Bei Platzierung des Lautsprechers direkt unter einer Kante oder einem Vorsprung werden die Tiefen weiter verstärkt.

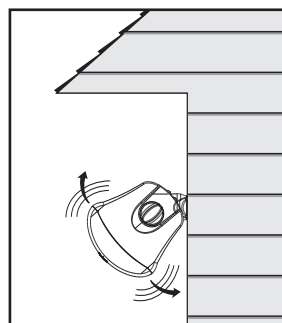


FIGURE 3

Place the speaker away from eaves and corners for less bass output.

Coloque el altavoz lejos de aleros y esquinas para obtener menor rendimiento de bajos.

Dégagez l'enceinte de l'avant-toit ou des coins pour diminuer les graves.

Schwächere Tiefen erhalten Sie, wenn Sie den Lautsprecher von Kanten und Vorsprüngen entfernt aufstellen.

PAINTING YOUR ATRIUM AW LOUDSPEAKERS

You will need:

- A spray can of primer paint (Krylon Sandable Spray Primer #1318)
- A spray can of the paint of your choice. Choose exterior grade paint if you plan to use the speakers outdoors
- A paperclip or corkscrew (for removing the paintable grille)
- Masking tape
- Paint mask (to cover unpaintable parts—*not included*. To make an easy paint mask, use the grille as a template and cut a mask from heavy, nonporous Kraft paper.)

PREPARING TO PAINT:

1. Separate the parts of the speaker. Remove the brackets and bracket knobs. Remove the grille by carefully hooking it with a bent paper clip and pulling it gently away from the cabinet [figure 4].
2. Mask off the binding posts on the back of the speaker [figure 5], the end panels and bracket knobs, and carefully mask off the front of the speakers to protect the drivers and baffles while painting [figure 6]. The grille features an engraved logo pod. You can mask this off or paint right over it.

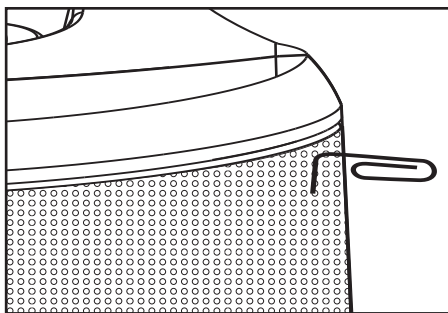


FIGURE 4

Remove the grille using a paper clip.

Quite la rejilla con un sujetapapeles.

Retirez la grille en utilisant un trombone.

Entfernen Sie den Gitteraufsatz mit einer Büroklammer.

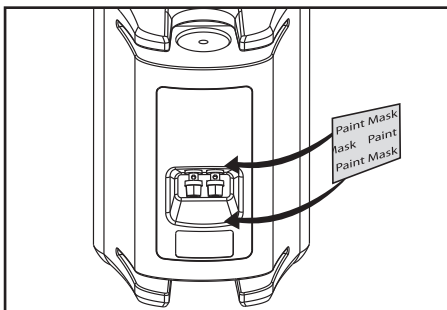


FIGURE 5

Mask the binding posts on the rear of the speaker.

Cubra con cinta de enmascarar los tornillos de presión ubicados en la parte de atrás del altavoz.

Masquez les bornes à l'arrière de l'enceinte.

Decken Sie die Anschlussklemmen auf der Rückseite des Lautsprechers ab.

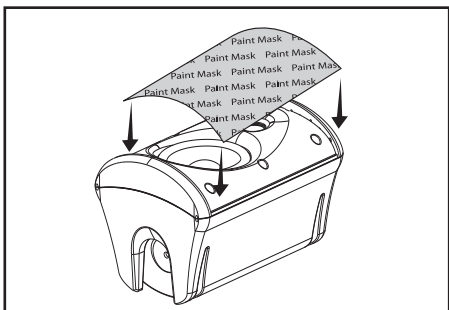


FIGURE 6

Mask the drivers and baffles.

Cubra con cinta de enmascarar los excitadores y los écrans acústicos.

Masquez les haut-parleurs et les écrans acoustiques.

Decken Sie die Treiber und Resonanzwände ab.

PAINTING THE CABINET, BRACKET KNOBS AND BRACKET:

1. Apply two thin coats of primer to the cabinet and knobs. The bracket does not require a primer.
2. When the primer is completely dry, apply the finish color [figure 7].
3. When the paint is completely dry, remove the masking material.
4. Do not reattach the speaker to the bracket until the bracket is mounted. Try to keep all handling of freshly painted parts to a minimum.

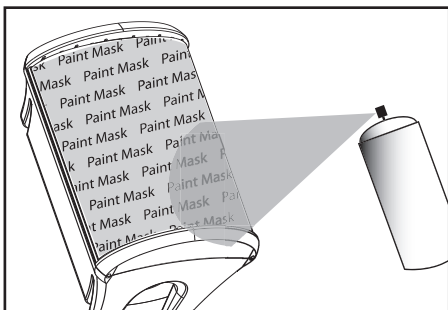


FIGURE 7

*After priming, apply thin coats of finish color
Después de aplicar la capa de imprimación (primer),
aplique capas delgadas del color del acabado.*

*Suite à la couche d'apprêt, appliquez la
peinture de finition en couches minces.*

*Nach der Grundierung tragen Sie eine
dünne Schicht des Farbanstrichs auf.*

PAINTING THE GRILLE:

1. The grille of the Atrium speaker features an even, protective powder coating. This powder coating is an ideal primer. The grille features an engraved logo pod. You can mask this off or paint right over it.
2. Using spray paint, spray two thin coats of finish color with no primer [figure 8]. If you're using a compressor and spray gun, use the finest, most diffuse setting. Be careful not to fill the holes in the grille with paint.
3. When the paint is completely dry, carefully fit the grille into its recess so that it is just resting on the cabinet. Starting with one corner, go around the speaker and push the grille into the grille notch a little bit at a time. Be gentle; the grille may be easily bent out of shape by rough handling.

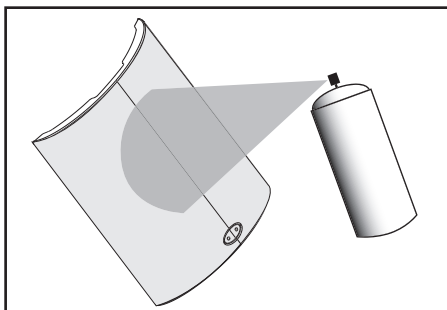


FIGURE 8

*Paint the grille. Use thin coats of spray paint.
Do not block grille holes with paint.*

*Pinte la rejilla. Use capas delgadas de pintura aerosol.
No tape los agujeros de la rejilla con pintura.*

*Peinturez la grille. Appliquez des couches minces de peinture aérosol. N'obstruez pas les trous
de la grille de peinture.*

*Streichen Sie den Gitteraufsatz. Verwenden Sie dazu dünne Spritzlackschichten. Die Öffnungen
des Gitteraufsatzes dürfen nicht mit Farbe blockiert werden.*

MOUNTING

The Atrium's bracket allows it to be mounted either horizontally or vertically and aimed to deliver the best possible sound in a variety of situations. Follow the steps below to safely secure the brackets and speakers.

Installation of Atrium Series Loudspeakers requires basic skills in using tools such as a drill and screwdriver. If you are in doubt that you possess the necessary skills or tools, consult your Polk Audio dealer, or a professional installer.

- 1) Make sure the material on which you plan to mount the speakers (plaster, drywall, paneling, stone, etc.) can support the weight of the speakers (Atrium50=approx 5lbs/2.3kg ea.).
- 2) Make sure the locations you select do not conceal electrical wiring or plumbing.
- 3) Prior to installation, hold the speaker in the chosen location to make sure it safely clears obstacles such as ceiling, adjacent walls, corners, beams, lighting fixtures and door/window frames.

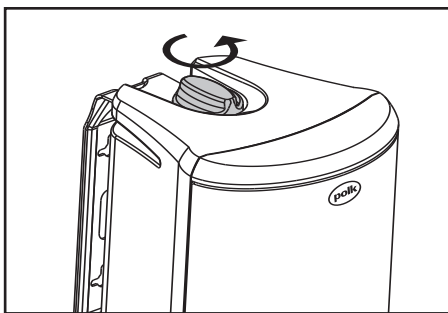
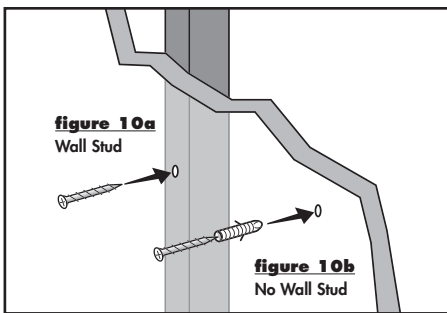


FIGURE 9

Turn the bracket knobs to remove the bracket assembly.
Gire las perillas de los soportes para quitar la unidad de soporte.
Tournez les boutons du support pour retirer le bloc-support.

Drehen Sie die Halterungsknöpfe, um die gesamte Halterung abzunehmen.

- 4) Using the keyhole slots in the bracket as a template, mark the installation location of the two keyhole slots with a pencil. You can do this by removing the bracket knobs on the top and bottom of the speaker and removing the bracket, or by leaving the bracket connected to the speaker [figure 9]. Orient the bracket so that the small ends of the keyhole slots are facing "up" according to the direction of installation. Reattach the bracket to the speakers, if you have removed it, by reinserting it into the bracket gap and then tightening the bracket knobs.
- 5) If you are certain that there is a stud behind the wall surface, drive #10 screws (not included) through the wall and into the stud [figure 10a].
- 6) If there is no stud behind the wall at the chosen location, install #10 wall anchors (not supplied) into the wall by following the wall-anchor-manufacturer's instructions. Always use two wall anchors and two screws per speaker [figure 10b].
- 7) Drive screws into stud or wall anchors, leaving screw heads protruding 1/16" (1/6mm).



FIGURES 10a & b

Use #10 screw for wall stud,
use #10 wall anchors + screw for no wall stud.
Use tornillos n° 10 si la pared tiene parales internos, use anclas de pared y tornillos n° 10 si la pared no tiene parales internos.
Utilisez une vis n°10 pour fixer le support dans un montant.
Utilisez une cheville d'ancrage et une vis n°10 s'il n'y a pas de montant.
Verwenden Sie eine Schraube Nr. 10 für Wände mit Holzstielverstärkung bzw. Dübel und Schrauben (Nr. 10) für Wände ohne Holzstielverstärkung.

- 8) If speaker wire is being fed from a hole in the wall behind the bracket, pull this speaker wire through the hole in the bracket before mounting the bracket [figure 11].
- 9) Line up the bracket, attached to the speaker, so that the screw heads pass through the large center hole of the bracket's keyhole slots.
- 10) Let the speaker and bracket slide straight down, allowing the screw head to slip behind the smaller end of the keyhole slot [figure 12].
- 11) Tug gently on the speaker to make certain that the screws and bracket are properly aligned and that the wall anchors are secure.
- 12) If the bracket is not held snug against the wall by the screw heads, remove the speaker from the wall, drive the screws in a little further and then remount the speaker.

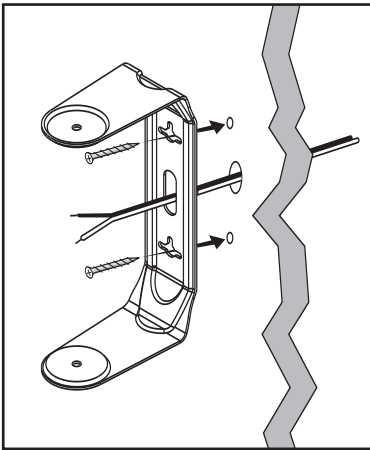


FIGURE 11

Feed speaker wire from wall through bracket wire hole for easy mounting.

Para montar el altavoz con facilidad, pase el cable de altavoz que sale de la pared por el agujero para cable del soporte.

Passer le fil de haut-parleur à travers le trou du support pour faciliter l'installation.

Verlegen Sie das Lautsprecherkabel einfach von der Wand durch die entsprechende Öffnung in der Halterung.

- 13) Once the speaker is mounted, the bracket knobs can be loosened to "aim" the speaker, and then hand-tightened to keep the speaker angled correctly [figure 13].
- 14) Follow the hookup directions included with your receiver. Strip 1/2 inch of insulation from each of the two conductors of the wire to expose the bare metal and twist each of the conductors into a single unfrayed strand (so you have two unfrayed strands). Note that one of the terminals on the rear of each speaker is red (+) and the other is black (-). Make certain that you connect the wire from the red terminal of your amplifier or receiver to the red terminal on your speaker and the wire from the black terminal of your amplifier or receiver to the black terminal on your speaker [figure 14]. Most wire has some indicator (such as color-coding, ribbing or writing) on one of the two conductors to help you maintain consistency.

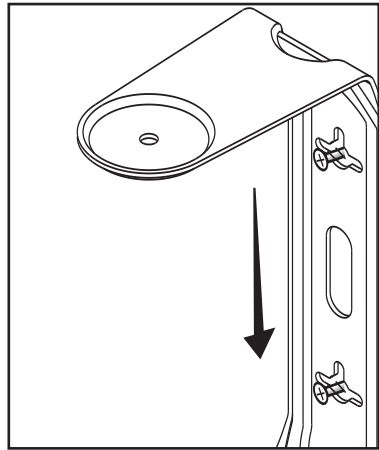


FIGURE 12

Slide the bracket down on the screw heads to catch the keyhole slots.

Deslice el soporte hacia abajo sobre las cabezas de los tornillos para que encajen en las ranuras en forma de ojo de cerradura.

Glissez le support sur la tête de la vis jusqu'à ce qu'elle s'enclenche dans la fente.

Schieben Sie die Halterung auf die Schraubköpfe herunter, so dass sie in den Ritzen einrastet.

ALTERNATE SECURE MOUNTING

For more solid mounting, screw the bracket directly into a weight-bearing stud on the mounting surface.

Place the screws securely in the smaller end of the keyhole slot. Do not leave screwheads protruding.

Attach and remove the speaker from the permanently secured bracket by tightening and loosening the bracket knobs [as shown in figure 13].

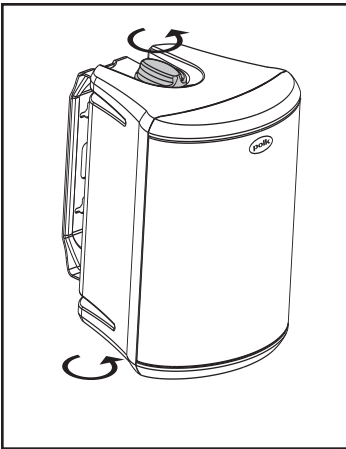


FIGURE 13

Adjust the bracket knobs to aim the speaker.

Ajuste las perillas del soporte para orientar el altavoz.

Ajustez les boutons du support pour diriger l'enceinte.

Stellen Sie die Position des Lautsprechers über die Knöpfe an der Halterung ein.

SAFETY FIRST

When installing Atrium speakers be aware of the weight of your particular model (Atrium50=approx 5lbs/2.3kg ea.) and the weight bearing tolerance of the material to which you are mounting the speaker. If you are not sure of a safe way of mounting your speakers please consult a professional installer, your authorized Polk Audio dealer, or a building contractor.

You will maximize the useful life of your Atrium speakers by placing them where they will receive less exposure to the elements. If extreme weather conditions are expected, we recommend storing your speakers indoors.

Look for the best overall compromise between sound quality, convenience and exposure. Do not compromise safety.

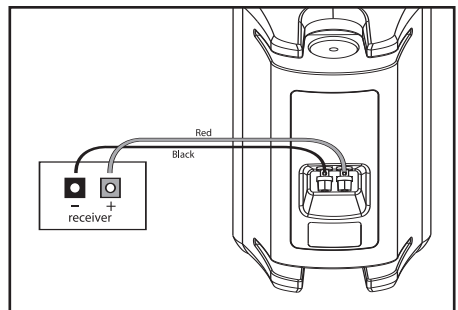


FIGURE 14

Make speaker connections using binding posts.

Haga las conexiones del altavoz con los tornillos de presión.

Branchez les fils de haut-parleur aux bornes des enceintes.

Nehmen Sie die Lautsprecheranschlüsse über die Klemmen vor.

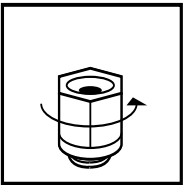
FIGURE 15

USING 5-WAY BINDING POSTS

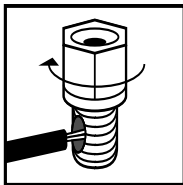
EL USO DE POSTES DE CONEXIÓN DE CINCO POSICIONES

UTILISATION DES BORNERS "CINQ FAÇONS"

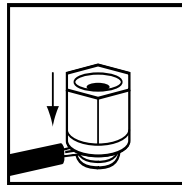
GEBRAUCH VON FUNFER-VERBINDUNGS-BOLZEN



Loosen hex nut
Desenrosque parcialmente la tuerca hexagonal
Desserer l'écrou
Sechskantmutter lösen



Insert speaker wire through hole
Inserte el alambre para la bocina en el orificio
Insérer le fil du haut-parleur dans le trou
Lautsprecher-Draht durch das Loch schieben



Tighten hex nut
Enrosque la tuerca de nuevo
Serrer l'écrou
Sechskantmutter festschrauben



Do not insert insulated section of speaker wire
No inserte alambre con material aislante
Ne pas insérer la partie isolée du fil du haut-parleur
Isolation des Lautsprecher-Drahtes nicht in das Loch schieben

SPECIFICATIONS

ATRIUM50

Frequency Response

75Hz-20Khz

Recommended Power

10-80W Continuous

Impedance

Compatible with 8 Ohm outputs

Efficiency (dB 1w/1m)

89db

Available Finishes

Black & White

Environmental Standards

ASTM D5894-UV Salt Fog, Mil Standard 810

Immersion, Mil-Std 883 Method 1009.8

for salt and corrosion

Cabinet material

Mineral filled polypropylene

Grille & Bracket material

powder coated aluminum

Hardware

Brass or stainless steel

Terminals

Gold 5-way binding posts

Drive Unit Complement

mid-bass

1 4½" mineral filled polypropylene cone,

rubber surround

Tweeter

¾" (19mm) metalized dome

neodymium motor structure

Height x Width x Depth with bracket & knobs

9½"H x 6¼"W x 7¼"D

(24.1cmH x 15.9cmW x 19.7cmD)

Shipping Weight Pair

12LBS- 5.45 Kg

POLK AUDIO LIMITED WARRANTY

Polk Audio, Inc. warrants to the original purchaser only that this Polk Audio Loudspeaker Product (the "Product") will be free from defects in materials and workmanship for a period of two (2) years from the date of original retail purchase from a Polk Audio Authorized Dealer. However, this Warranty will automatically terminate prior to the expiration of the two (2) years if the original retail purchaser sells or otherwise transfers the Product to any other party. The original retail purchaser shall hereinafter be referred to as "you." To allow Polk Audio to offer the best possible warranty service, please fill out the Product Registration Card(s) and send it to the Factory, at the address provided on the Product Cards(s) within ten (10) days of the date of purchase.

Defective Products must be shipped, together with proof of purchase, prepaid insured to the Polk Audio Authorized Dealer from whom you purchased the Product, or to the Factory at 2550 Britannia Boulevard, Suite D, San Diego, California 92154. Products must be shipped in the original shipping container or its equivalent; in any case the risk of loss or damage in transit is to be borne by you. If upon examination at the Factory or Polk Audio Authorized Dealer it is determined that the unit was defective in materials or workmanship at any time during this Warranty period, Polk Audio or the Polk Audio Authorized Dealer will, at its option, repair or replace this Product at no additional charge, except as set forth below. All replaced parts and Products become the property of Polk Audio. Products replaced or repaired under this warranty will be returned to you, within a reasonable time, freight prepaid.

This warranty does not include service or parts to repair damage caused by accident, disaster, misuse, abuse, negligence,

inadequate packing or shipping procedures, commercial use, voltage inputs in excess of the rated maximum of the unit, cosmetic appearance of cabinetry not directly attributable to defect in materials or workmanship, or service, repair, or modification of the Product which has not been authorized or approved by Polk Audio. This warranty shall terminate if the Serial number on the Product has been removed, tampered with or defaced.

This warranty is in lieu of all other expressed Warranties. If this Product is defective in materials or workmanship as warranted above, your sole remedy shall be repair or replacement as provided above. In no event will Polk Audio, Inc. be liable to you for any incidental or consequential damages arising out of the use or inability to use the Product, even if Polk Audio, Inc. or a Polk Audio Authorized Dealer has been advised of the possibility of such damages, or for any claim by any other party. Some states do not allow the exclusion or limitation of consequential damages, so the above limitation and exclusion may not apply to you.

All implied warranties on this Product are limited to the duration of this expressed Warranty. Some states do not allow limitation on how long an implied Warranty lasts, so the above limitations may not apply to you. This Warranty gives you specific legal rights, and you also may have other rights which vary from state to state.

This Warranty applies only to Products purchased in the United States of America, its possessions, and U.S. and NATO armed forces exchanges and audio clubs. The Warranty terms and conditions applicable to Products purchased in other countries are available from the Polk Audio Authorized Distributors in such countries.

"Polk Audio," "Polk," "The Speaker Specialists," "Power Port" and "Dynamic Balance" are trademarks of Britannia Investment Corporation used under license by Polk Audio Incorporated.

Dolby, Pro Logic, Dolby Digital and AC-3 are trademarks of Dolby Laboratories Licensing Corp.

polkaudio
the speaker specialists®

**5601 METRO DRIVE,
BALTIMORE, MARYLAND 21215, USA,
800-377-7655, FAX: 410-764-5266
www.polkaudio.com**



HBP893